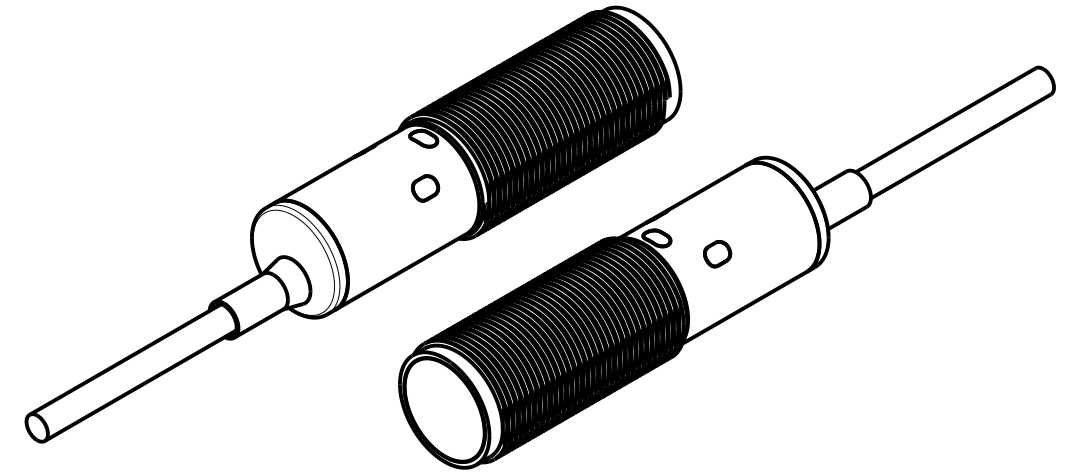
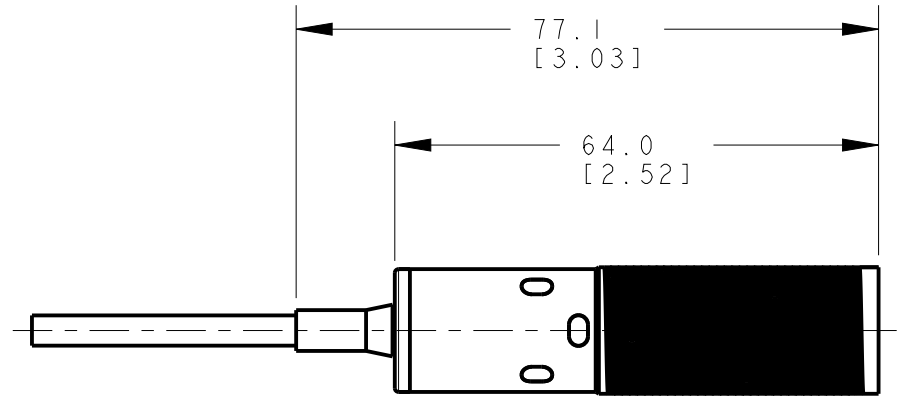
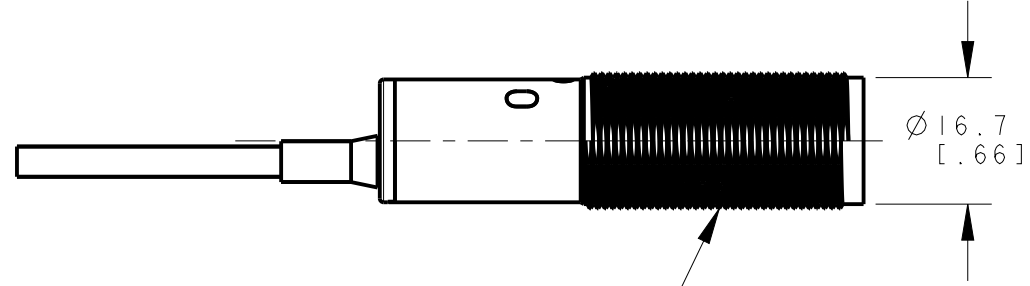
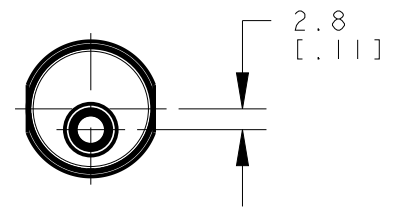


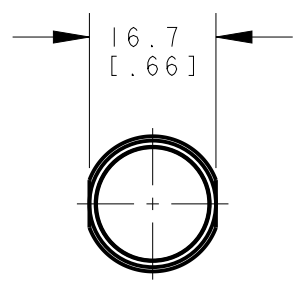
8 7 6 5 4 3 2 1



ISOMETRIC VIEWS



M18 X 1-6g
MAX TORQUE 2.3 Nm (20 IN-LBS)



This drawing is the property of BANNER ENGINEERING CORP. Any use or reproduction, in any form, without prior written permission of Banner is prohibited. © 2015 Banner Engineering Corp.

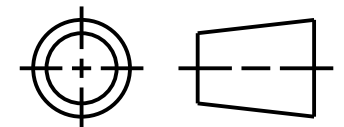
BANNER BANNER ENGINEERING CORP.
www.bannerengineering.com

TITLE
S18-2 E/R CABLE/PIGTAIL

SIZE B DRAWING NO. **165913** REV. **B**

SCALE 1:1 SHEET 1 OF 1 CREO

THIRD ANGLE PROJECTION



NOTES:
1. ALL DIMENSIONS ARE MILLIMETERS [INCHES] UNLESS OTHERWISE NOTED.
2. REFER TO "www.bannerengineering.com" FOR ADDITIONAL DATA AND SPECIFICATIONS.

8 7 6 5 4 3 2 1